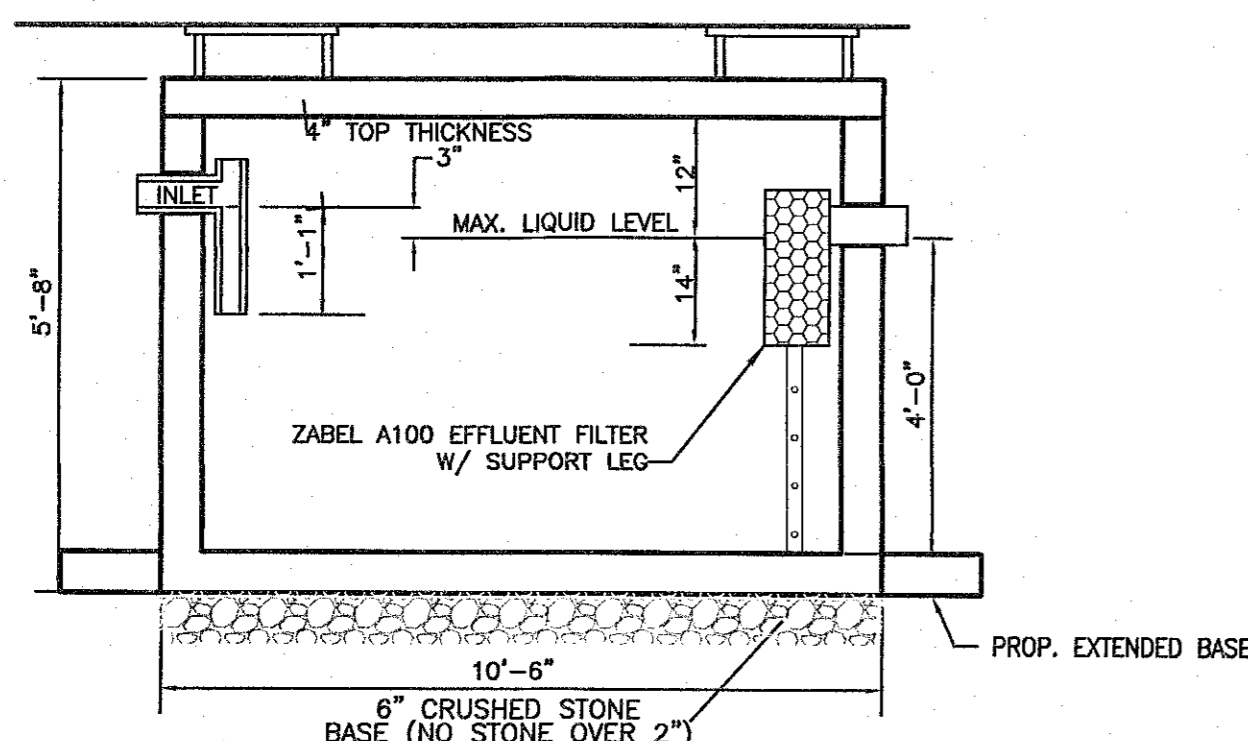
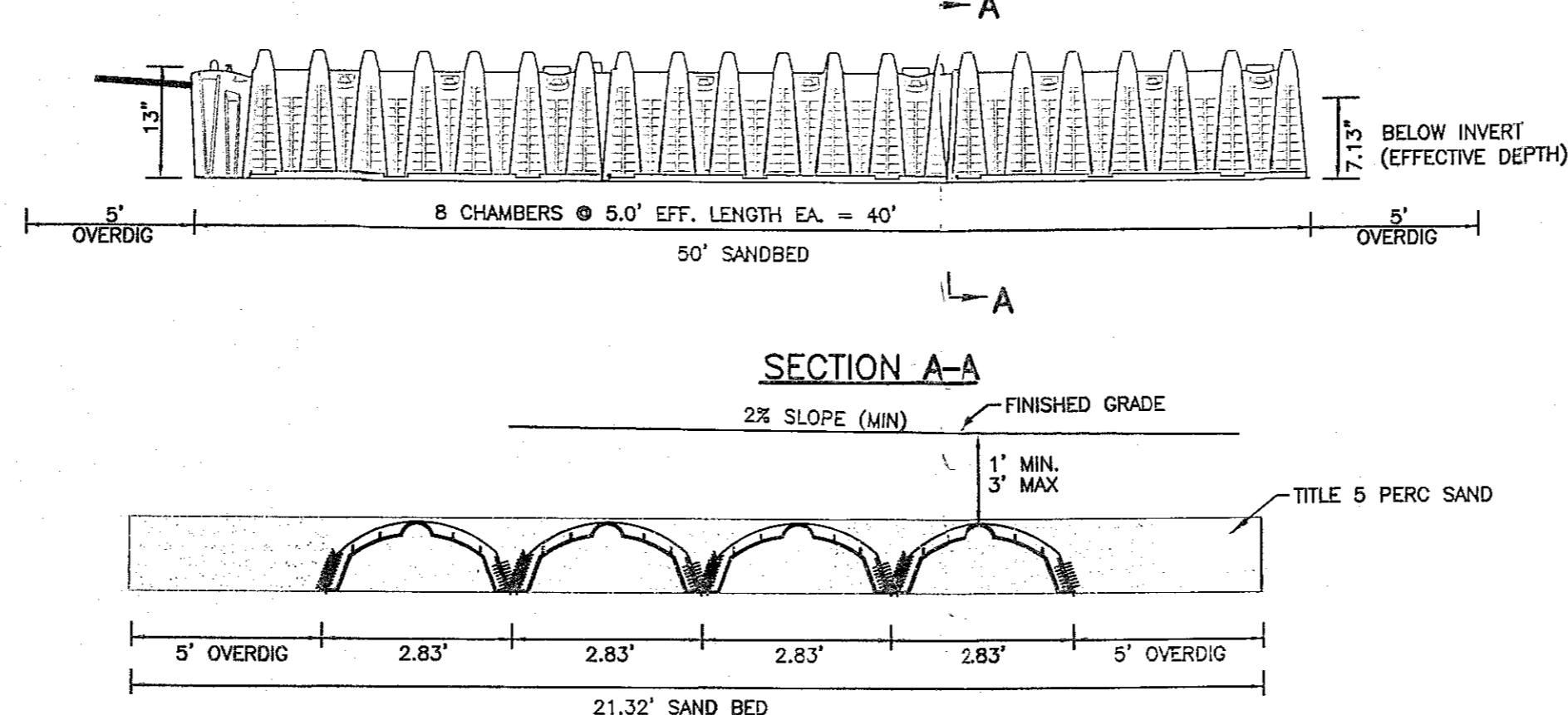


1,500 GAL. MONOLITHIC SEPTIC TANK DETAIL



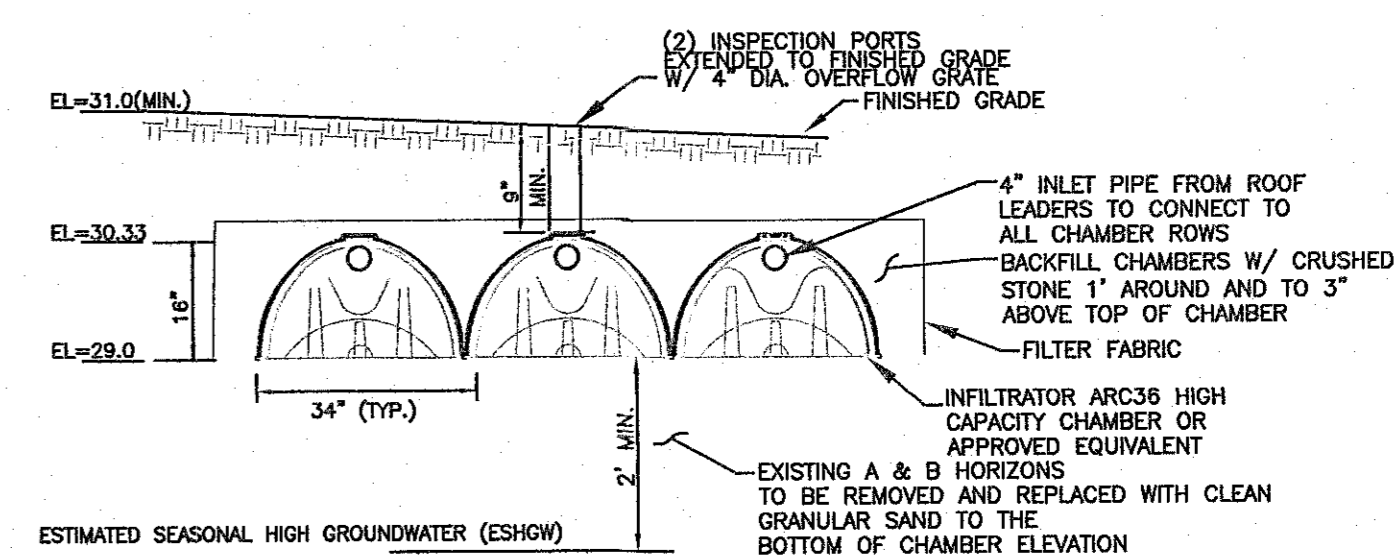
1. THE SEPTIC TANK INLET & OUTLET COVERS SHALL BE EXTENDED TO FINISHED GRADE & EQUIPPED WITH 20" DIA. CAST IRON FRAME & COVERS.
2. ALL PIPE CONNECTION AND CONSTRUCTION JOINTS SHALL BE SEALED WITH HYDRAULIC CEMENT.
3. SEPTIC TANK SHALL BE INSTALLED ON A LEVEL 6" CRUSHED STONE BASE.
4. OUTLET SHALL BE EQUIPPED WITH A ZABEL A100 EFFLUENT FILTER (OR APPROVED EQUAL).

INFILTRATOR ARC 36 CHAMBE SYSTEM



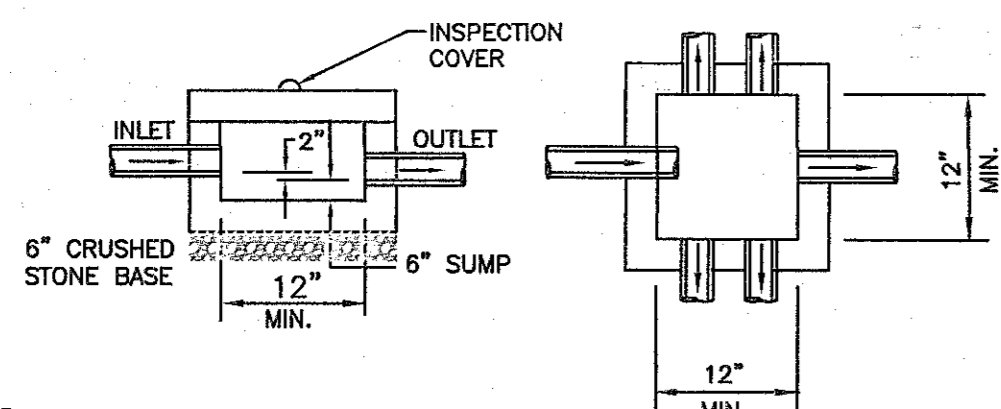
- NOTES :
- 1.) NO STONE BELOW OR AROUND CHAMBERS IS REQUIRED.
 - 2.) BACKFILL CHAMBERS WITH CLEAN COARSE SAND IN ACCORDANCE WITH 310 CMR 15.255 (3) TO THE TOP OF THE CHAMBER.
 - 3.) DO NOT BACKFILL WITH ANY STONES 3" OR LARGER AGAINST CHAMBERS.
 - 4.) CHAMBERS SHALL BE INSTALLED IN ACCORDANCE WITH MANUFACTURERS RECOMMENDATIONS.

ROOF DRYWELL SYSTEM



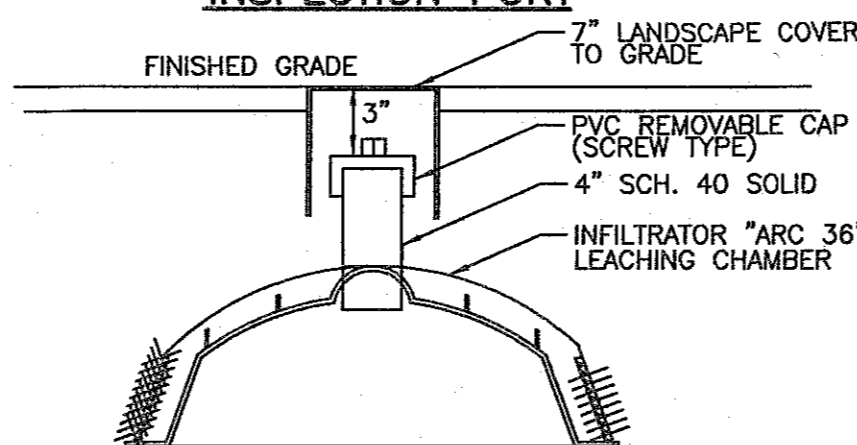
- NOTE:
1. ALL ROOF LEADERS SHALL BE EQUIPPED WITH DOWNSPOUT STRAINERS.
 2. NO CONSTRUCTION ACTIVITY (TRAFFIC) SHALL BE ALLOWED OVER THE LEACHING DRY WELL AREAS.
 3. NO CONSTRUCTION SURFACE WATER OR DEWATERING DISCHARGES SHALL BE DISCHARGED INTO THE DRYWELL STRUCTURES OR DRYWELL SITE LOCATIONS.
 4. DRYWELLS SHALL BE LOCATED A MINIMUM OF 10' FROM FOUNDATIONS & 10' FROM PROPERTY LINES.

DISTRIBUTION BOX

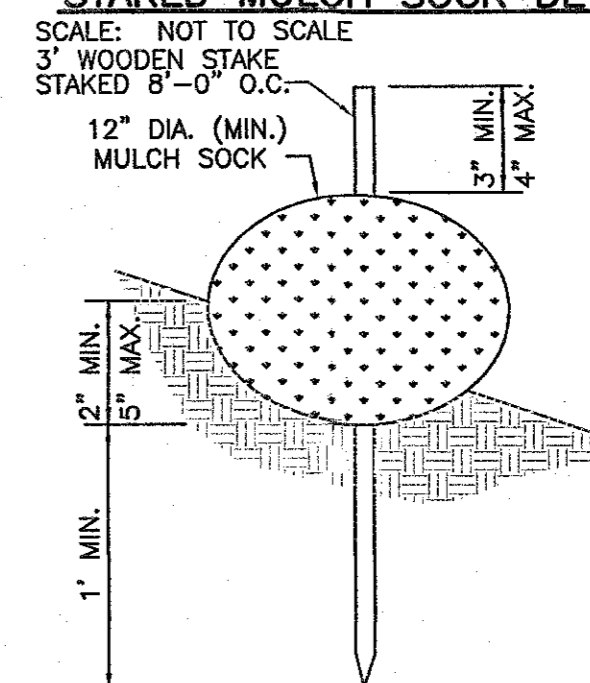


- NOTES:
1. DISTRIBUTION BOX COVER SHALL BE EQUIPPED WITH RISERS AS NECESSARY TO BRING THE COVER TO WITHIN 6" OF FINISHED GRADE.
 2. ALL PIPE CONNECTION AND CONSTRUCTION JOINTS SHALL BE SEALED WITH HYDRAULIC CEMENT.
 3. DISTRIBUTION BOX TO BE INSTALLED ON A LEVEL 6" CRUSHED STONE BASE.
 4. PROVIDE CAST IRON FRAME & GRATE TO GRADE.

INSPECTION PORT



STAKED MULCH SOCK DETAIL



	PREPARED BY:			
	PROJECT:		DESIGN: JMH	
	0 POPES LANE ASSESSORS PARCEL 101-0-13 HINGHAM, MASSACHUSETTS		CHECK: GJM	
	APPLICANT:		DATE: 5/26/2021	JOB NO: 21-161
JOSEPH & KATHRYN CRESPO		REV:		
PLAN TITLE:	LOT & SEPTIC DESIGN PLAN	SHEET: 2 OF 2		